



400TR/800TR/800TR-A EUROMOLD® Test rod for cable testing

## STANDARDS

Test CENELEC HD 629.1

## DESCRIPTION

### Application

The test rod can be used for:

- cable fault location
- cable testing
- phasing checks, etc.

### Technical characteristics

The 400TR test rod can be used with 400TB and 440TB connectors.

The 800TR and 800TR-A test rod in conjunction with the 400TR can be used with 480TB, 484TB and 489TB connectors and their coupling connectors.

### Installation

The test rod is screwed into the connector instead of the basic insulating plug. Then the test lead is connected to the threaded stem and the insulating shroud moved to its final position.

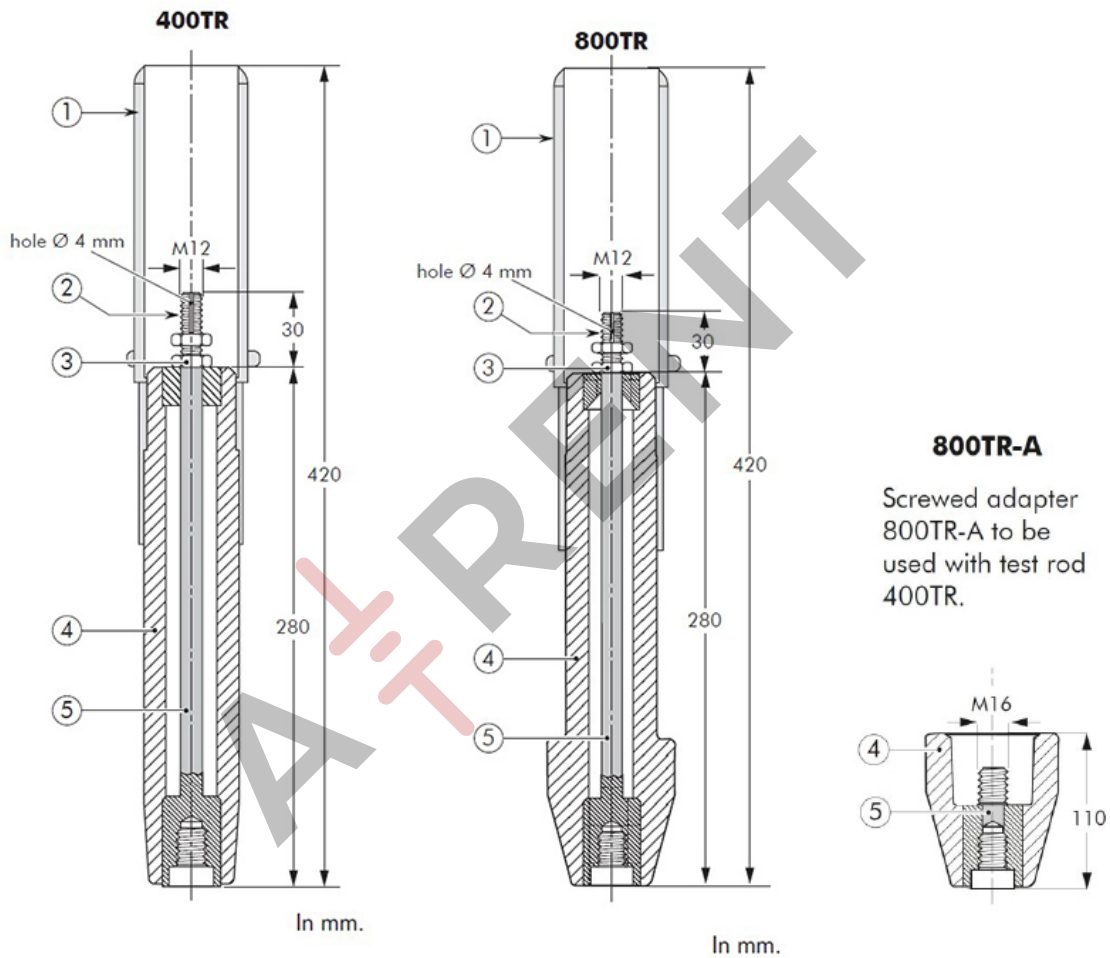
### Ordering instructions

Simply specify test rod 400TR, 800TR or screwed adapter 800TR-A

## CONTACT

Sales contact  
Phone: +49 9281 8306 0  
kundenzentrum.hof@nexans.com

## DRAWING



## DESIGN

1. Insulating shroud.
2. Threaded rod for test connection.
3. Two nuts M12.
4. Insulation.
5. Test rod stem.

An insulating shroud is provided to allow the application of test voltages when bushings are closely spaced.

## SELECTION TABLE

| Test rod type | Maximum AC test voltage (50 Hz - 1 min) | Maximum DC test voltage (8 x U <sub>0</sub> - 30 min) | Impulse voltage (1.2 x 50 μs) min | Ordering part number |
|---------------|---|---|-----------------------------------|----------------------|
| 400TR         | up to 42 kV                             | 96 kV   | 95 kV                             | 70126                |
| 800TR         | up to 42 kV                             | 96 kV   | 95 kV                             | 85830                |
| 800TR-A       | up to 42 kV                             | 96 kV   | 95 kV                             | 87493                |

## TECHNICAL INSTRUCTIONS AND APPLICATION INFORMATION (ACCESSORIES)

The data given were determined diligently, but do not release our customers of the duty to carry out tests themselves in order to check the suitability of the products delivered by us for the intended use. We reserve the right to modify characteristic and performance data according to the present state of technology. Processing and use of the products cannot be controlled by us and are therefore exclusively in your field of responsibility.

Our products meet the VDE standards respectively correspond to DIN pages and IEC recommendations.

Attention: Before first design in please contact manufacturer.

The products, described in this catalogue, are designed for connection of bare energy cable conductors (Class 1 & 2) with description of round solid (RE), round stranded (RM), as well as sector solid (SE), sector stranded (SM) and round stranded compacted (RMV) for conductor temperatures up to 90 °C. All conductor filling materials like tapes, yarn, powder or similar need to be completely removed before the installation. A check on basis of the actual existing conductor dimensions by the user is indispensable. This applies also for the application of Class 6 conductors or other special conductor types.

Impact wrenches have to be approved by Nexans! Depending on different conductor material or conductor type, indicated values may differ from test values acc. to IEC 61238-1. The use of fine stranded conductors has to be approved by Nexans Power Accessories Germany GmbH.

Our responsibilities are only those listed in the latest edition of "General terms and conditions for the supply of products and services of the electrical and electronics industry". We can provide a copy on request.

Our products are mainly delivered in cartons. We only use package materials able to be recycled due to the latest packing system. Collapsible cardboard boxes are not taken back. Please try to order complete standard packages.

Reprinting, even partial, only with special allowance. We reserve the right to alter or modify the characteristics described. Illustrations and drawings may only show a close reflection and are not decisive. The weights are approximate and include the carton package. This catalogue substitutes all former editions. Types or versions not part of the catalogue are available on request.

Hof, May 2021