

TECHNICAL DATA

Fluke i2000 Flex AC Current Clamp



The i2000s Flex is an ac current clamp utilizing the Rogowski principle. It can be used to measure currents up to 2000 A when used in conjunction with multimeters, recorders or data loggers. The flexible and lightweight measuring head allows quick and easy installation in hard to reach areas.

SAFETY RATING
CAT III 600 V

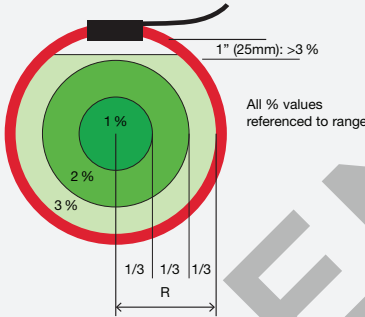
POWERFUL ADDITION TO YOUR DIGITAL MULTIMETER.

- Measure up to 2000 A ac rms
- Flexible probe works in cramped, hard-to-reach spaces
- Switch-selectable 20, 200 and 2000 A ranges



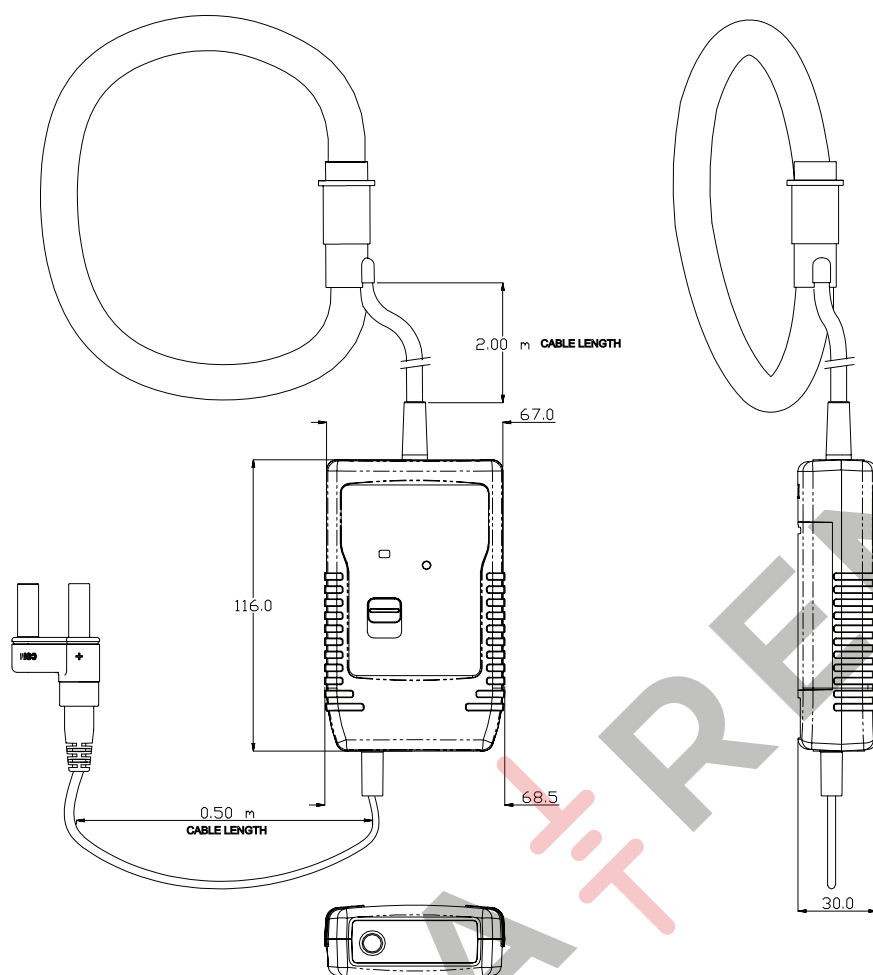
i2000 Flex connected to a Fluke 87V Digital Multimeter.

Specifications

Key features	i2000
Electrical specifications	
Current ranges	20 A/200 A/2000 A ac rms
Output sensitivity (ac-coupled)	100 mV/10 mV/1 mV per A
Load impedance	100 kOhm minimum
Accuracy (at +25 °C)	± 1 % of range (45 Hz to 65 Hz)
Linearity (10 % to 100 % of range)	± 0.2 % of reading
Noise	8 mV ac rms (60 A), 2 mV ac rms (300 A/3000 A)
Frequency range	10 Hz to 50 kHz (-3 dB)
Phase error	< ± 1° (45 Hz to 65 Hz), ± 10° (at 20 kHz)
Position sensitivity (with cable > 25 mm from the coupling)	 <p>Position sensitivity: From 1 % up to 3 % of range with cable, depending on distance from the center (see figure left). Measurements closer than 25 mm from the coupling are typically greater than 3 % of range.</p> <p>External wire influence: 1 % (-40 db) of external current >200 mm from head.</p> <p>All % values referenced to range</p>
External field (with cable > 200 mm from the head)	± 1 % of range
Power supply	2 x AA MN 1500 LR6 alkaline, 400 hours, low battery indicator
Temperature coefficient	± 0.08 % of reading per °C
Working voltage (see safety standards section)	600 V ac rms or dc
General specifications	
Head cable length (double insulated)	610 mm (24 in)
Head cable diameter	14.3 mm (0.563 in)
Head bend radius	38.1 mm (1.5 in)
Cable length (head to electronics)	2 meters
Output connection	BNC with BNC to Banana adapter included
Operating temperature range	
Head	0 °C to +70 °C (32 °F to 158 °F)
Electronics	0 °C to +70 °C (32 °F to 158 °F)
Storage temperature range	
Head	-40 °C to +105 °C (-40 °F to 221 °F)
Electronics	-20 °C to +85 °C (-4 °F to 185 °F)
Operating humidity	15 % to 85 % (non-condensing)
Weight	
Head	180 g (0.397 lb)
Electronics	190 g (0.419 lb)
Safety standards	BS EN 61010-1: 2001 BS EN 61010-2-032: 2002 BS EN 61010-031: 2002 600 V rms, Category III, Pollution Degree 2*
EMC standards	BS EN 61326: 1998 +A1, A2, and A3

* Use of the probe on uninsulated conductors is limited to 600 V ac rms or dc and frequencies below 1 kHz.

Dimensions (in mm)



Ordering information

i2000 Flex AC Current Clamp

Fluke. *Keeping your world up and running.*®

Fluke Corporation
PO Box 9090, Everett, WA 98206 U.S.A.

For more information call:
In the U.S.A. (800) 443-5853
In Canada (800) 36-FLUKE
From other countries +1 (425) 446-5500
www.fluke.com

©2006, 2022 Fluke Corporation.
Specifications subject to change without notice.
1/2022 211170-2688061-en

Modification of this document is not permitted without written permission from Fluke Corporation.