

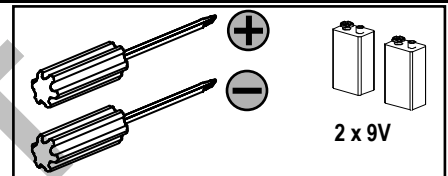
Test Kit, Power Stick
Dispositivo de prueba
Vis plombables pour prise de raccordement

For Use With Frame DG - PG
Para Usar Con Caja Base DG - PG

Installation Instructions / Instructivo de Instalación

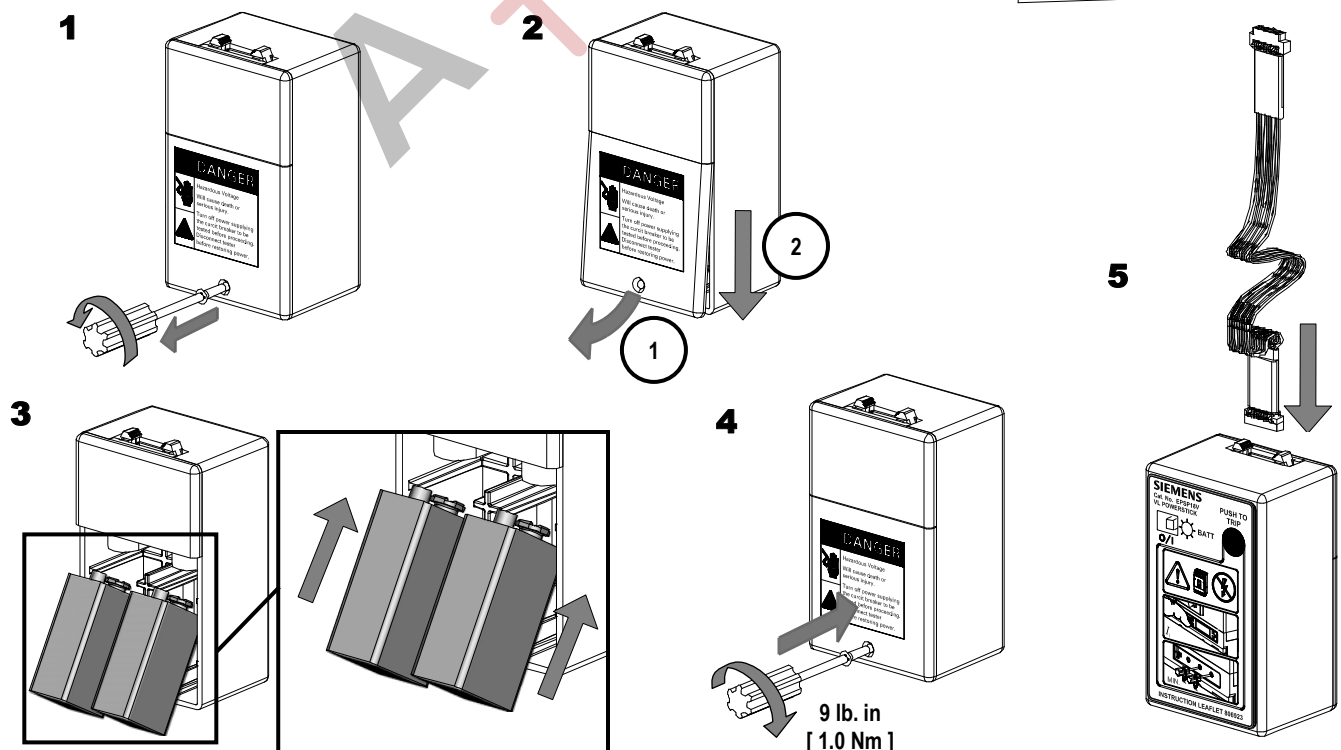
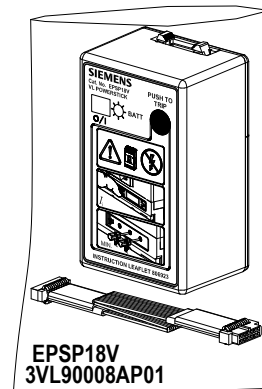
	⚠ Danger	⚠ Peligro	⚠ Danger
	Hazardous Voltage. Will cause death or serious injury.	Tensión peligrosa. Puede causar la muerte o lesiones graves.	Tension dangereuse. Danger de mort ou risque de blessures graves.
	Turn off and lock out all power supplying this device before working on this device. Replace all covers before power supplying this device is turned on.	Desenergice totalmente antes de instalar o darle servicio. Reemplace todas las barreras y cubiertas antes de energizar el interruptor.	Couper l'alimentation de l'appareil et barrer avant de travailler. Remplacez tous les couverts avant que l'approvisionnement de pouvoir soit alimenté.

Use only with Siemens certified Components.
Utilizar únicamente con componentes certificados de Siemens.
A utiliser uniquement avec les composants certifiés Siemens.

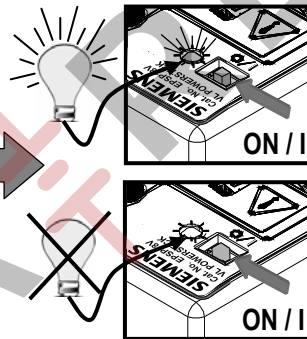
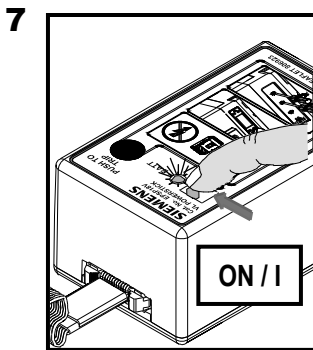
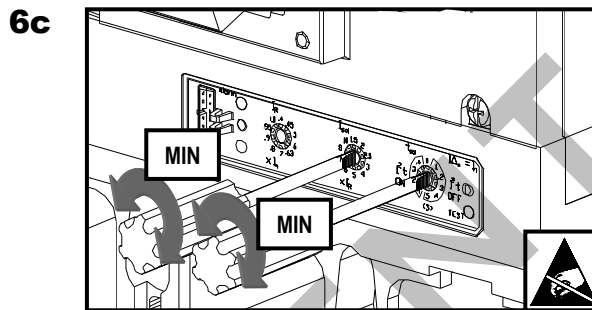
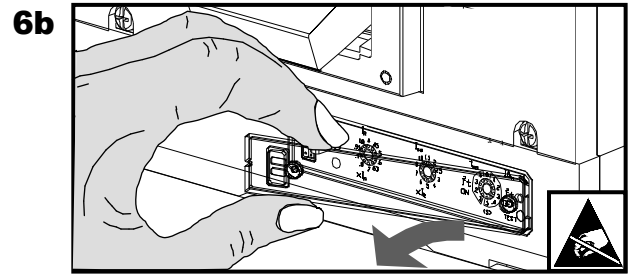
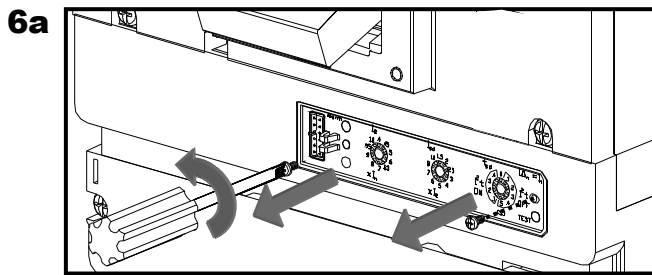


NOTE - These instructions do not purport to cover all details or variations in equipment, or to provide for every possible contingency to be met in connection with installation, operation or maintenance. Should further information be desired or should particular problems arise, which are not covered sufficiently for the purchaser's purposes, the matter should be referred to the local Siemens sales office. The contents of this instruction manual shall not become part of or modify any prior or existing agreement, commitment or relationship. The sales contract contains the entire obligation of Siemens. The warranty contained in the contract between the parties is the sole warranty of Siemens. Any statements contained herein do not create new warranties or modify the existing warranty.

Trademarks - Unless otherwise noted, all names identified by ® are registered trademarks of Siemens AG or Siemens Industry, Inc. The remaining trademarks in this publication may be trademarks whose use by third parties for their own purposes could violate the rights of the owner.



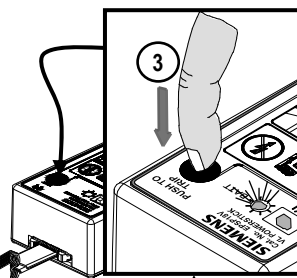
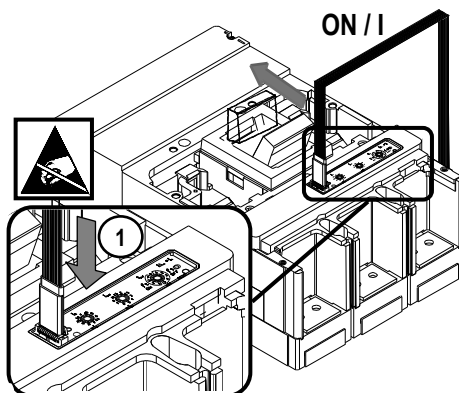
Trip Unit / Disparador 545



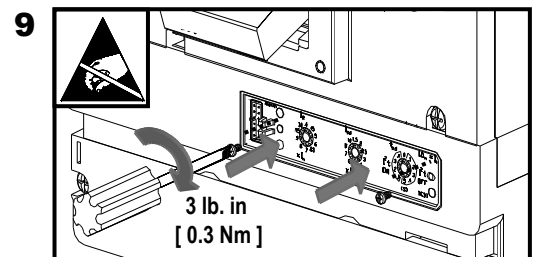
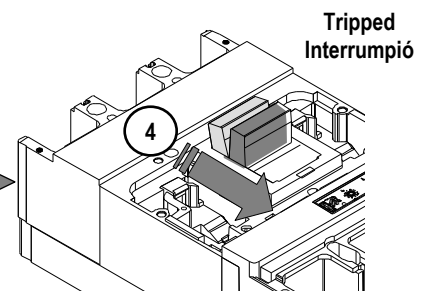
Step 8
[Paso]

Step 1
[Paso]

8 Trip Test:
[Interrumpir Prueba]

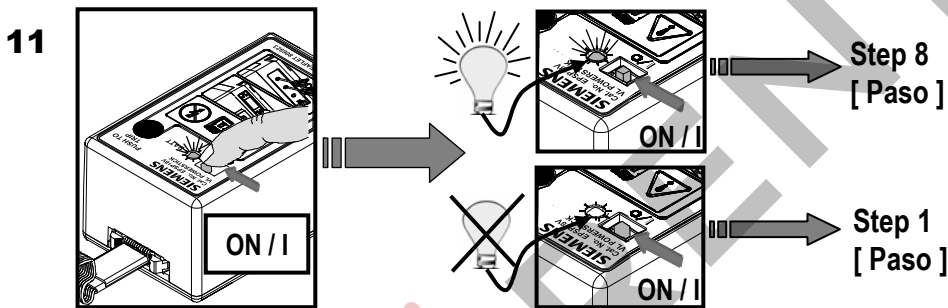
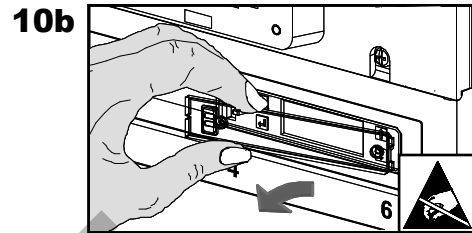
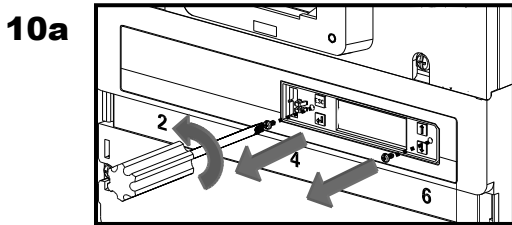


Wait 15 seconds
between tests.
[Espere 15 segundos
entre pruebas.]



 	<p>⚠ Danger Hazardous Voltage. Will cause death or serious injury.</p> <p>Turn off and lock out all power supplying this device before working on this device. Replace all covers before power supplying this device is turned on.</p>	<p>⚠ Peligro Tensión peligrosa. Puede causar la muerte o lesiones graves.</p> <p>Desenergice totalmente antes de instalar o darle servicio. Reemplace todas las barreras y cubiertas antes de energizar el interruptor.</p>	<p>⚠ Danger Tension dangereuse. Danger de mort ou risque de blessures graves.</p> <p>Couper l'alimentation de l'appareil et barrer avant de travailler. Remplacez tous les couverts avant que l'alimentation de pouvoir soit alimenté.</p>
--	--	---	--

Trip Unit / Disparador 576



12

Setting Menus / [Menus de Ajuste]

Screen – [Pantalla]	Value [Valor]	TestT Settings [Ajuste de prueba]
IOC AMPS – [AMPS SOBREC INST]	I_i	$I_i = 1.25 \times I_n$ Amps

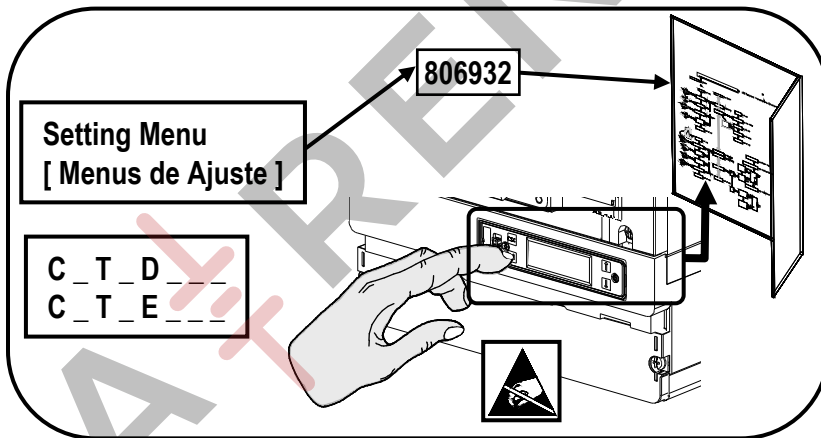
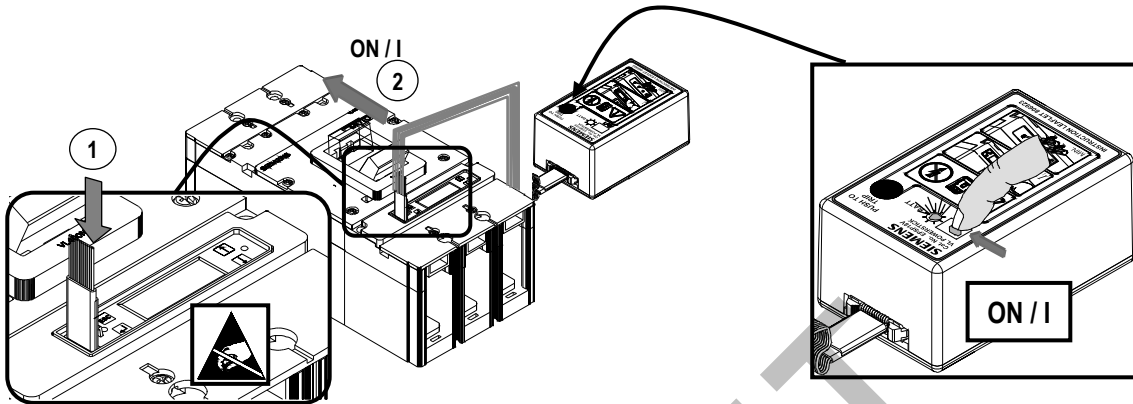
806932

13 Trip Test: [Interrumpir Prueba]

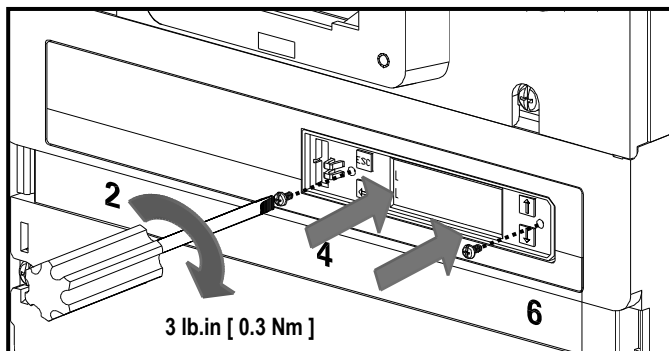
Wait 15 seconds between tests. [Espere 15 segundos entre pruebas.]

14

Program Function:
[Función del Programa:]



15



For Support in Europe refer to :
Bestell-Nr. / Order No.: 3ZX1012-0VL68-0BA6 **Internet:** www.siemens.de/lowvoltage/technical-assistance **GWA 4NEB 179 6923-10 DS 04**

Technical Support: **Toll Free:** 1-800-241-4453 **Internet:** www.usa.siemens.com/powerdistribution

Subject to change without prior notice
 Siemens Industry, Inc., Norcross, GA 30092 U.S.A.

© Siemens Industry Inc. 2010

A₊RENT a-rent.com (IL) 630.748.8900 sales@a-rent.com
 (TX) 713.564.8900